

## FEATURES AND SPECIFICATIONS

### Features and Benefits

- Polarized D-shaped leaf-contact connector
- Chamfered lead-in on tails for PCB mounting
- Metal retention clips for mechanical hold down before and after processing
- Low profile—12.50mm (.492") stack height for parallel board packaging
- Mates to standard 1.60mm (.062") PCB card edge with low insertion force
- Surface Mount Compatible

### Reference Information

Product Specification: PS-71660  
 Packaging: Tray  
 UL File No.: E29179  
 CSA File No.: LR19980-239A  
 Mates With: 71661  
 Designed In: Inches

### Electrical

Voltage: 30V  
 Current: 1.0A  
 Contact Resistance: 20mΩ max.  
 Dielectric Withstanding Voltage: 500V AC  
 Insulation Resistance: 100 MΩ min.

### Mechanical

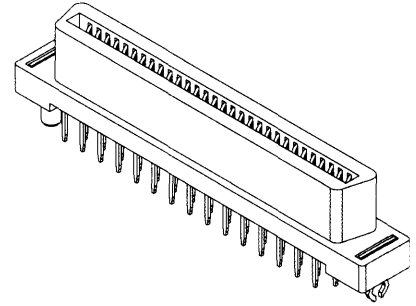
Contact Retention to Housing: 500g min.  
 Mating Force: 90g max.  
 Unmating Force: 15g min.  
 Normal Force: 90g  
 Durability: 500 cycles min.

### Physical

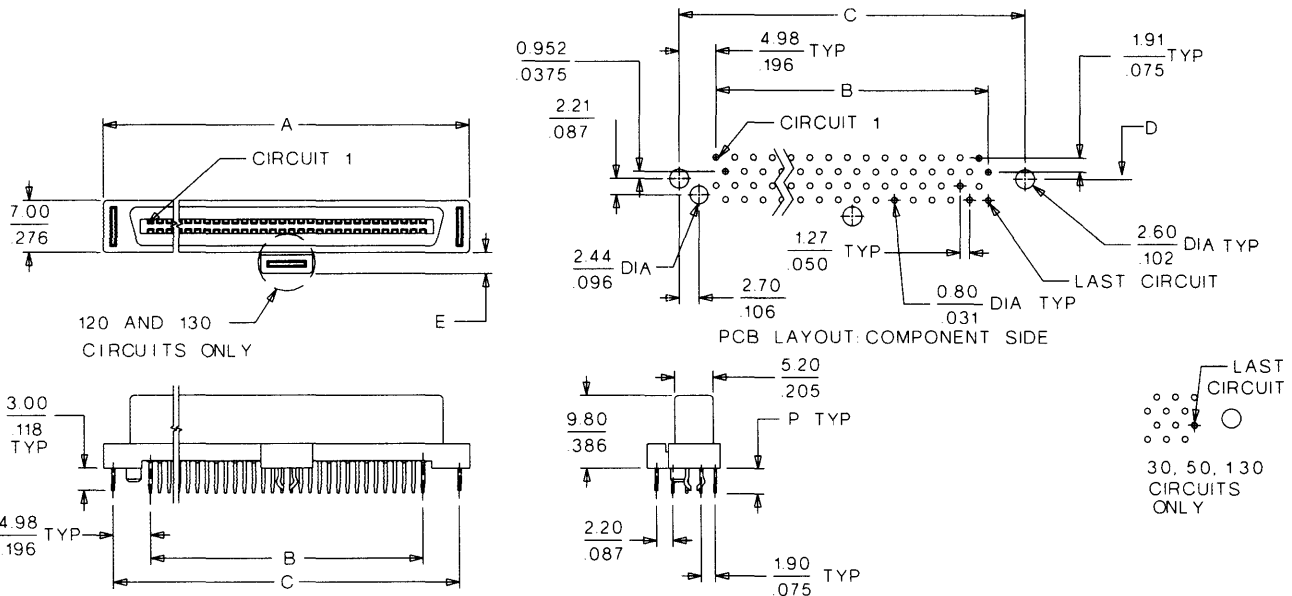
Housing: High-temperature thermoplastic, UL 94V-0  
 Retention Clip: Copper Alloy  
 Contact: Copper Alloy  
 Plating: 30μ" min. Gold over Nickel in contact area,  
 100μ" min. Tin/Lead over Nickel on tails  
 Operating Temperature: -40 to +105°C

# molex® 1.27mm (.050") Pitch EBBI™ 50D Receptacle

## 71660 Vertical



## CATALOG DRAWING (FOR REFERENCE ONLY)



## ORDERING INFORMATION AND DIMENSIONS

Circuits	Order No.		Dimension		
	Tail Length (Dim. P) 3.40mm (.134")	Tail Length (Dim. P) 2.79mm (.110")	A	B	C
30	15-92-1030	15-92-1430	30.45 (1.199)	17.78 (.700)	27.75 (1.092)
40	15-92-1040	15-92-1440	36.80 (1.449)	24.13 (.950)	34.10 (1.342)
50	15-92-1050	15-92-1450	43.15 (1.699)	30.48 (1.200)	40.45 (1.592)
60	15-92-1060	15-92-1460	49.50 (1.949)	36.83 (1.450)	46.80 (1.842)
68	15-92-1068	15-92-1468	54.58 (2.149)	41.91 (1.650)	51.88 (2.042)
80*	15-92-1080	15-92-1480	62.20 (2.449)	49.53 (1.950)	59.50 (2.342)
100	15-92-1100	15-92-1500	74.90 (2.949)	62.23 (2.450)	72.20 (2.842)
120	15-92-1120	15-92-1520	87.60 (3.449)	74.93 (2.950)	84.90 (3.342)

\* Meets SCA (Single Connector Attachment) standard for small form factor disk drives